

**RHC SERIES ENCLOSURES  
"SMALL" NEMA 3R HINGE COVER WALL-MOUNT**



**RHC060604**

**Industry Standards**

UL 50, Types 1 & 3R  
CSA Certified, Type 1 & 3R  
NEMA/EEMAC Type 1 & 3R

 UL File E6924

 CSA File LL66078

**FEATURES-SPECIFICATIONS**

**Applications**

Designed for use as wiring boxes and junction boxes. Provides protection in outdoor installations against rain, sleet, and snow, or indoors against dripping water.

**Construction**

- Bodies and doors fabricated from 16 gauge carbon steel
- Continuous hinge
- Lid is supplied with a padlockable draw latch

- Hinge is made of carbon steel with a stainless steel hinge pin
- Standard size enclosures are provided with knockouts in bottom
- Weldnuts provided for mounting **optional** back panels
- External mounting plates, top and bottom of enclosure
- Knockouts on bottom of enclosure
- Grounding provisions provided

**Finish**

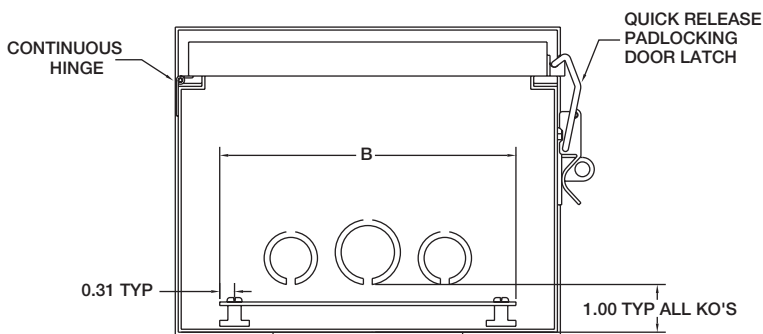
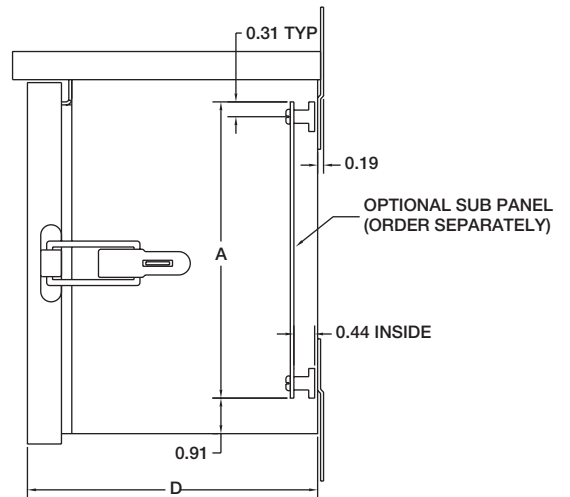
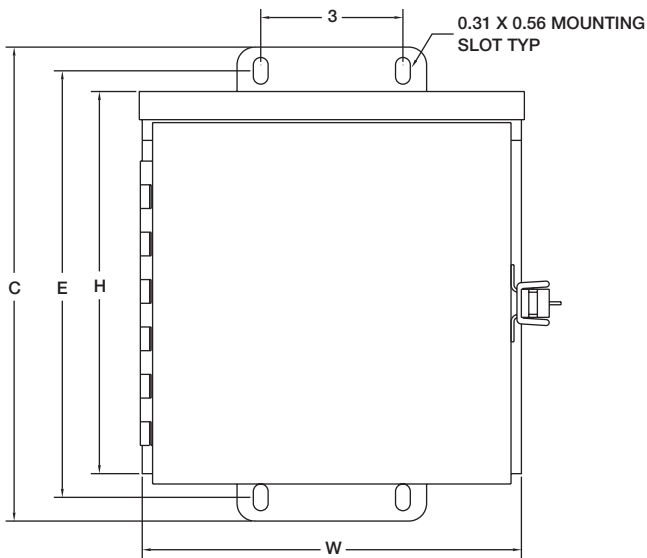
- ANSI-61 gray polyester powder inside and out over phosphatized surfaces
- **Optional** back panels are white polyester powder over phosphatized surfaces

**Accessories**

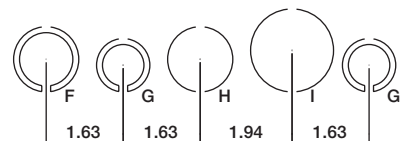
- Back panels (reference tables)
- See pages J1-J19

"SMALL" RHC SERIES HINGE COVER ENCLOSURES							
CATALOG NUMBER	BODY/DOOR STEEL GAUGE	ENCLOSURE SIZE H X W X D	KNOCKOUT PATTERN	BACK PANEL CATALOG NUMBER*	BACK PANEL SIZE A X B	C	E
RHC060604	16/16	6.06x6.00x4.13 (154x152x105)	G-F-G	<b>N1P0606</b>	4.25x4.25 (108x108)	8.00 (203)	7.00 (178)
RHC060804	16/16	8.06x6.00x4.13 (205x152x105)	G-F-G	<b>N1P0608</b>	6.25x4.25 (159x108)	10.00 (254)	9.00 (229)
RHC080804	16/16	8.06x8.00x4.13 (205x203x105)	G-F-G	<b>N1P0808</b>	6.25x6.25 (159x159)	10.00 (254)	9.00 (229)
RHC080806	16/16	8.06x8.00x6.13 (205x203x156)	G-F-G	<b>N1P0808</b>	6.25x6.25 (159x159)	10.00 (254)	9.00 (229)
RHC081006	16/16	10.06x8.00x6.13 (256x203x156)	G-F-G	<b>N1P0810</b>	8.25x6.25 (210x159)	12.00 (305)	11.00 (279)
RHC101206	16/16	12.06x10.00x6.13 (306x254x156)	G-F-G	<b>N1P1012</b>	10.25x8.25 (260x210)	14.00 (356)	13.00 (330)
RHC121206	16/16	12.06x12.00x6.13 (306x305x156)	F-G-H-I-G	<b>N1P1212</b>	10.25x10.25 (260x260)	14.00 (356)	13.00 (330)

\* Back panels must be ordered separately.



**KNOCKOUT PATTERN**  
 (PATTERNS ARE CENTERED IN WIDTH)



- F = 3/4" X 1" CONCENTRIC KO
- G = 1/2" X 3/4" CONCENTRIC KO
- H = 1" SOLID KO
- I = 1-1/4" SOLID KO



**N1P0606**

**FEATURES-SPECIFICATIONS**

**Description**

- 14 gauge
- White polyester powder
- Panels fit the following enclosures:
  - NEMA 1  
Small (NIC)
  - NEMA 3R  
Small (RHC)
  - NEMA 12  
WAGIE

BACK PANELS FOR SMALL NIC & RHC ENCLOSURES	
CATALOG NUMBER	PANEL SIZE A X B
<b>N1P0606</b>	4.25x4.25 (108x108)
<b>N1P0608</b>	6.25x4.25 (159x108)
<b>N1P0808</b>	6.25x6.25 (159x159)
<b>N1P0810</b>	8.25x6.25 (210x159)
<b>N1P1010</b>	8.25x8.25 (210x210)
<b>N1P1012</b>	10.25x8.25 (260x210)
<b>N1P1212</b>	10.25x10.25 (260x260)
<b>N1P1214</b>	12.25x10.25 (311x260)
<b>N1P1216</b>	14.25x10.25 (362x260)
<b>N1P1220</b>	18.25x10.25 (464x260)

